

Promotor Finesse



Promotor   
promotional displays



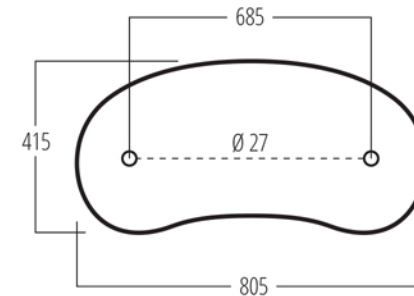
Weights in Kg

Outer Flat Top .....	1.15
Inner Top .....	0.90
Shelf .....	1.10
Bottom .....	0.90
Body Panel .....	2.42
Bag .....	1.10
Graphic Tube and Bag .....	0.68
Pole Set (four pieces) T .....	1.16
Header .....	0.51

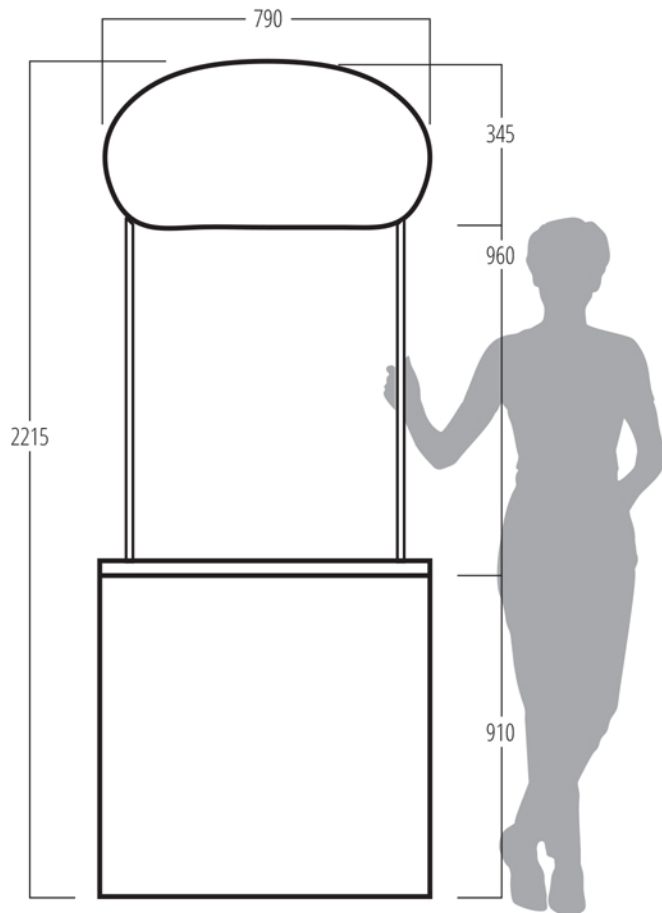
Packaging in Kg

Individual reusable carton .....	1.30
External size: 1090(w) x 590(d) x 130mm(h)	

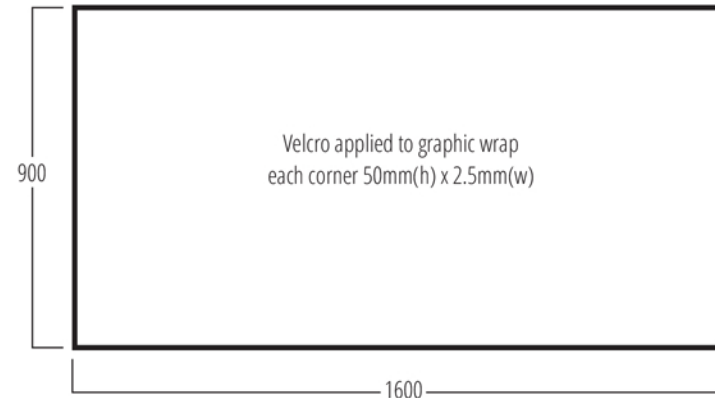
Overall graphic size: 1600(w) x 900mm(h)



Top

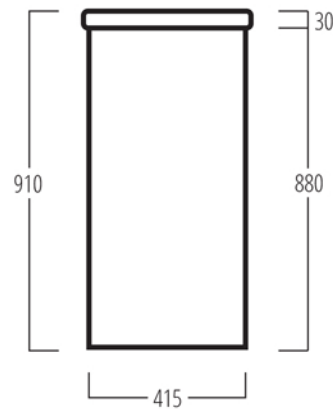


Unit and Header

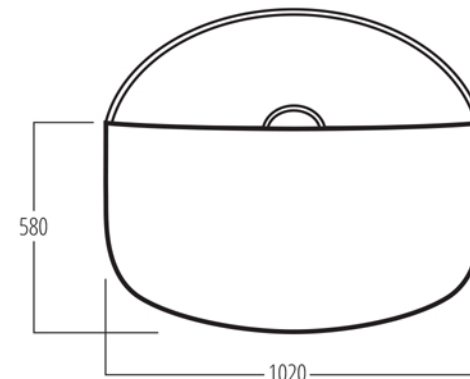


Graphic Wrap

Allow 15mm for top to cover graphic



Side



Carry Bag

